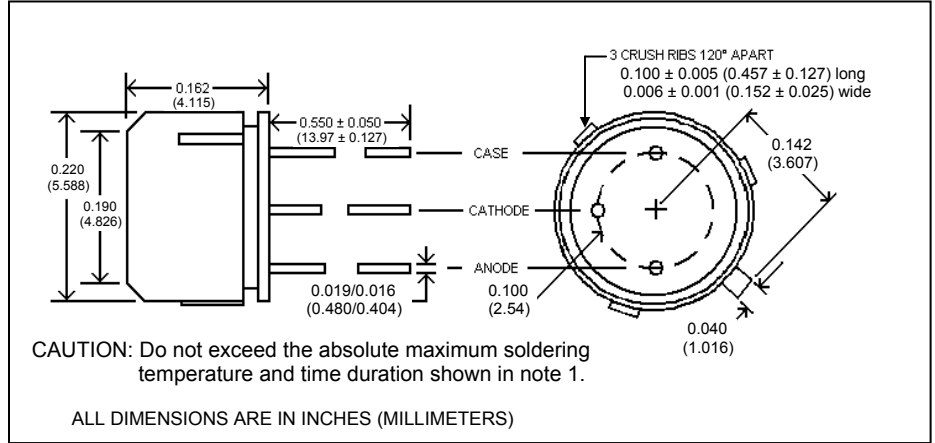


CFD470

Fiber Optic PIN Photodiode



April, 2004



features

- High speed, low capacitance
- Optimized for fiber-optic applications
- TO-18 header with plastic lens

description

The CFD470 contains a PIN silicon photodiode mounted on a TO-18 header. The devices are designed to self-align in the 0.228" (5.79mm) bore of a standard fiber-optic receptacle. Three crush ribs on the outside of the case provide press-fit installation and precise alignment. The CFD470 is designed to interface with multimode optical fibers from 50/125 to 200/300 microns.

absolute maximum ratings (T_A = 25°C unless otherwise stated)

storage temperature	-55°C to +115°C
operating temperature.....	-40°C to +100°C
lead soldering temperature ⁽¹⁾	260°C
reverse voltage	100VDC
continuous power dissipation.....	200mW ⁽²⁾

notes:

1. 1/16" (1.6mm) from case for 5 seconds maximum.
2. Derate linearly 2.13mW/°C from 25°C free air temperature to T_A = +100°C.

electrical characteristics (T _A = 25°C, unless otherwise noted)						
symbol	parameter	min	typ	max	units	test conditions
R	Flux responsivity ⁽³⁾	0.33	0.50	-	A/W	V _R = 5V
I _D	Dark current	-	1.0	5.0	nA	V _R = 5V
λ _P	Peak response wavelength	-	880	-	nm	
t _r	Output rise time ⁽⁴⁾	-	6.0	-	ns	V _R = 15V
C _J	Junction capacitance	-	3.0	-	pF	V _R = 20V
FoV	Field of view	-	80	-	deg.	

- notes: 3. Tested with 50/125 μm, 0.20 N. A. fiber @ 10 μW optical power with 850nm source. Responsivity levels apply to 50 μm, 62.5 μm and 100 μm core optical fibers.
 4. R_L = 50Ω, 10% - 90%.

Clairex reserves the right to make changes at any time to improve design and to provide the best possible product.

Revised 3/15/06

Clairex Technologies, Inc.
Phone: 972-265-4900

1301 East Plano Parkway
Fax: 972-265-4949

Plano, Texas 75074-8524
www.clairex.com